

Advance Information

Contact Monitoring and Dual Low Side Protected Driver

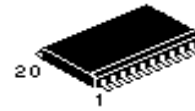
The MC33287 has been designed to interface between switching contacts (to battery or ground) and a microcontroller. This circuit includes 2 low side drivers, resistive and inductive loads or lamps.

- 8 High Voltage Input Triggers :
 - 1 Direct Output and 7 Multiplexed,
 - Direct Interface with Microcontroller
- 2 Low Side Drivers
 - Current Limitation : I_{lim} Typ = 0.5A (Each Output)
 - Internal Clamp : V_{clamp} Typ = 50V
 - Low Power Consumption in Standby Mode : $I_{max} = 110\mu A$
 - Overtemperature Protection (Typical 160°C)
 - Outputs Fault Detection

MC33287

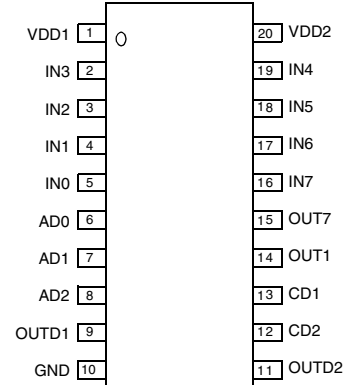
Contact Monitoring and Dual Low Side Protected Driver

SEMICONDUCTOR
TECHNICAL DATA



DW SUFFIX
PLASTIC PACKAGE
SO20L

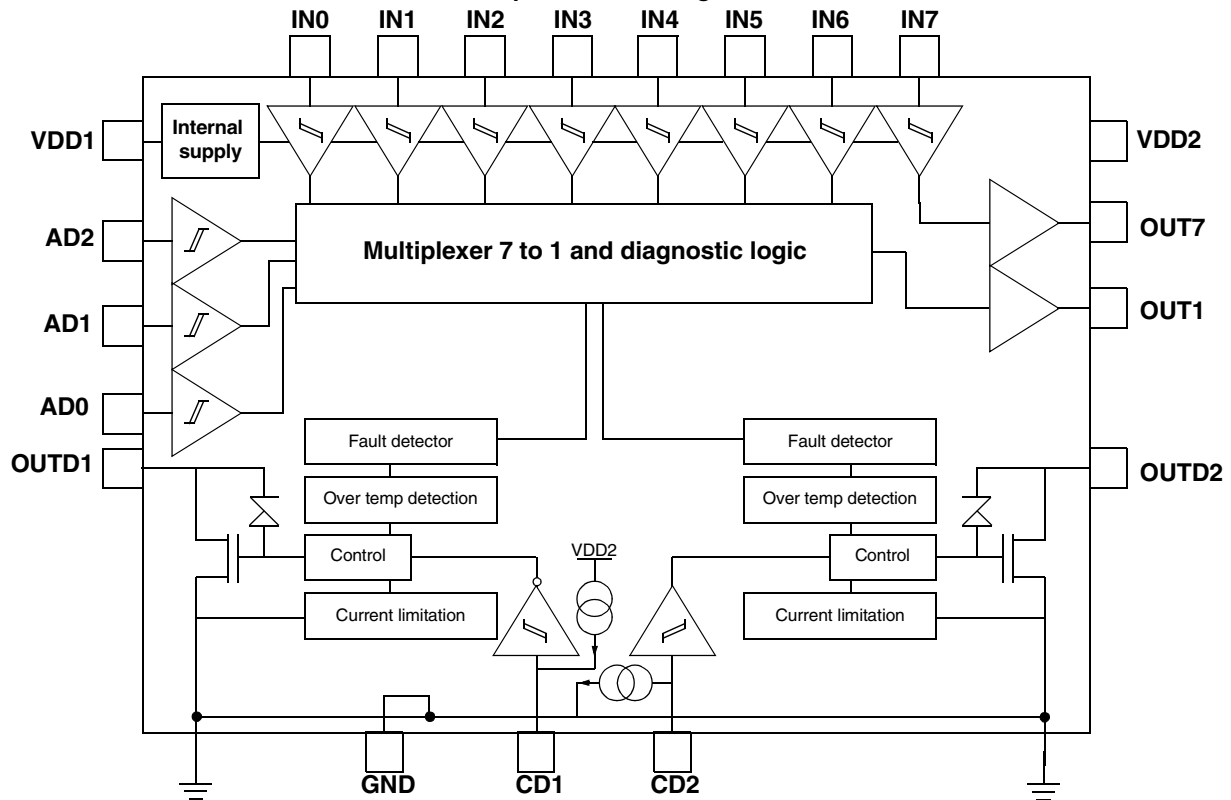
PIN ASSIGNMENT



ORDERING INFORMATION

Device	Temperature Range	Package
MC33287DW	-40°C to +125°C	SO20L

Simplified Block Diagram



MAXIMUM RATINGS

Ratings	Symbol	Min	Typ	Max	Unit
Operating Ambient Temperature	Tamb	- 40		85	°C
Storage Ambient Temperature	Tstorage	- 65		105	°C
Supply Voltage (Load Dump Conditions)	VDD1			40	V
Supply Voltage (Continuous)	VDD1			24	V
Supply Voltage (Continuous)	VDD2			7	V
Input Voltage On Pin IN1 (With Serial Resistor $\geq 25k\Omega$)	VIN			40	V
Total Power Dissipation (Tamb = 85°C)	Pd			0,7	W
V ESD (Note MIL STD 883C)	VESD	- 2000		+ 2000	V
Thermal Resistance Jonction To Air (Circuit Soldered On Pcb)	Rth(j-a)		80	100	°C/W

ELECTRICAL CHARACTERISTICS. Full specification is $7V \leq V_{DD1} \leq 18V$; $4,75V \leq V_{DD2} \leq 5,25V$; $-40^{\circ}C \leq t_{amb} \leq 85^{\circ}C$, unless otherwise noted.

Extended limit is : $5V \leq V_{DD1} \leq 7V$ and other parameters are full spec. in this mode, inputs IN1 and lowside drivers are still fonctionnal with downgraded characteristics.

Parameters	Symbol	Min	Typ	Max	Unit
------------	--------	-----	-----	-----	------

SUPPLY VOLTAGE : VDD1 and VDD2 Pins

Operational Supply Voltage (Full Spec)	VDD1	7	12	18	V
Operational Supply Voltage (Extend limit)	VDD1	5		7	V
Operational Supply Voltage (Full Spec)	VDD2	4.75	5	5.25	V
Supply Current Standby Mode ($V_{DD1} \leq 14V$; $V_{CD1} = V_{DD2}$, $V_{CD2} = 0V$) All IN1 and AD1 inputs connected to ground	IVDD1-0 IVDD2-0		55	110	μA
Supply Current in Drivers on Configuration (Full Spec ; $V_{CD1} = 0V$; $V_{CD2} = V_{DD2}$) All INi and ADi inputs connected to ground	IVDD1-1 IVDD2-1		250 650	1500 1500	μA

DRIVERS CHARACTERISTICS : Output Driver Characteristics : OUTD1 and OUTD2 Pins

Output Resistance (Full Spec and $T_j \leq 130^{\circ}C$)	Rdson		1.40	3.20	Ω
Output Resistance (Extend limit and $T_j \leq 130^{\circ}C$)	Rdson			5.00	Ω
Leakage Current (Internal current source)	ILeakage	1		13	μA
Turn On Delay Time	t _{ON}		1.3	10	μs
Turn Off Delay Time	t _{OFF}		2.1	10	μs
Output Rising Edge	t _{RISE}		2.8	10	μs
Output Falling Edge	t _{FALL}		1.0	10	μs
Difference between command duration and bit duration	Δbit	- 5		5	μs

Figure 1. Timing Test Configuration

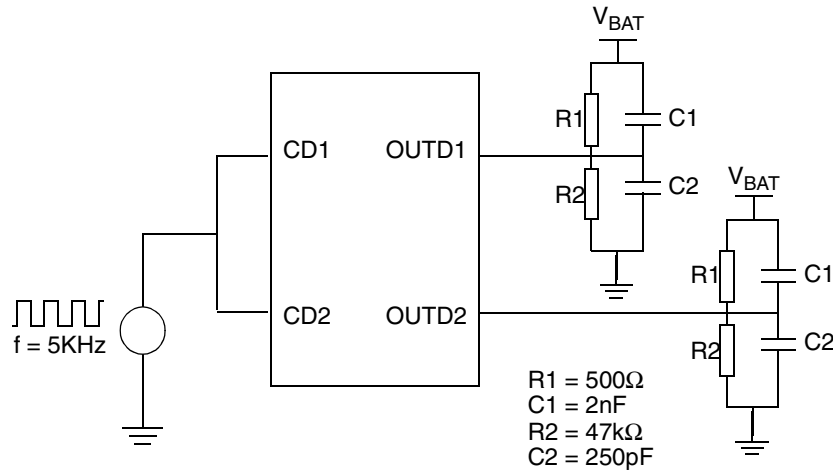
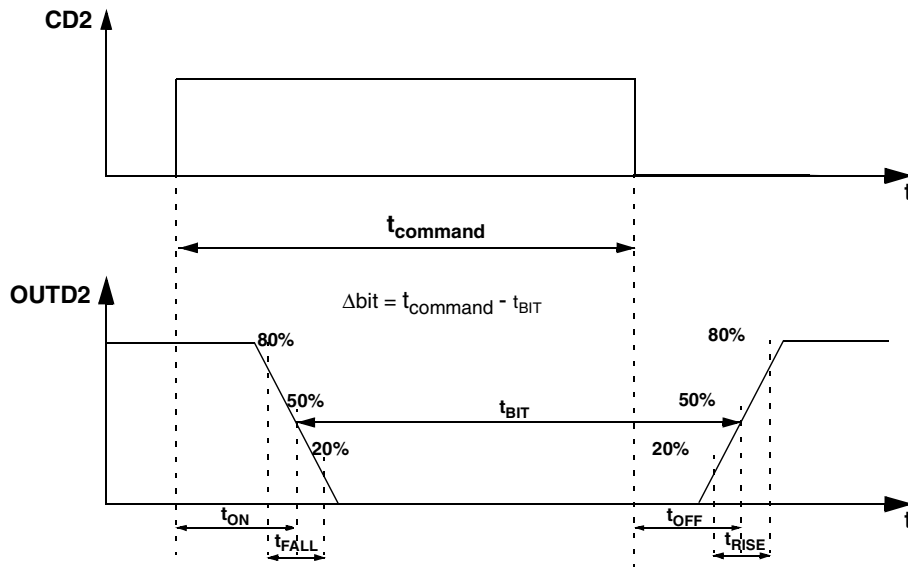


Figure 2. Timing Characteristics



PROTECTION AND LEVEL DETECTION : OUTD1 AND OUTD2 PINS

Parameters	Symbol	Min	Typ	Max	Unit
Positive Output Clamp	Vclamp	40	50	60	V
Output Current Limitation (130°C ≥ Tj)	Ilim	300	535	750	mA
Output Fault Detector Level	Vfault	2,00	2,75	3,5	V
Overtemperature Detection (At 25°C by function simulation)	Tdetec	145	160	175	°C

INPUTS : CD1 AND CD2 PINS

Input Voltage Low	Vil			0,4 x VDD2	V
Input Voltage High	Vih	0,8 x VDD2			V
Hysteresis	Vhys	500	800		mV
Input Current on Pin CD1 (Internal pull up and CD1 connected to ground)	ICD1	-100	-30	-10	μA
Leakage Current on Pin CD1 (Internal pull-up CD1 connected to VDD2)	Ileakage	-5		5	μA
Input Current on Pin CD2 (Internal pull down CD2 connected to VDD2)	ICD2	10	30	100	μA

Parameters	Symbol	Min	Typ	Max	Unit
Leakage Current on Pin CD2 (Internal pull-up CD1 connected to ground)	Ileakage	-5		5	μA

DRIVERS FUNCTION TABLE : Outputs and fault detector status (Diag)

CD1	OUTD1	DIAGD1	Status
h	H	h	Driver 1 normally OFF
l	L	h	Driver 1 normally ON
h	L	l	Driver 1 shorted to GND or open load
l	H	l	Driver 1 over loaded

CD2	OUTD2	DIAGD2	Status
l	H	h	Driver 2 normally OFF
h	L	h	Driver 2 normally ON
l	L	l	Driver 2 shorted to GND or open load
h	H	l	Driver 2 over loaded

H = High Level for Drivers Outputs, L = Low Level for Drivers Outputs
h = High Level for Logic Signals, l = Low Level for Logic Signals.

NOTES : CD1 is active on low level (driver 1 is on when CD1 is low), CD2 is active on high level (driver 2 is on when CD2 is high). The DIAGD1 output is neither latched for filtered.

LOGIC CHARACTERISTICS

Characteristic	Symbols	Min	Typ	Max	Unit
----------------	---------	-----	-----	-----	------

INPUTS : Pins IN0 to IN7

Input Voltage Low (Full Spec)	Vil			0,4 x VDD1	V
Input Voltage Low (Extended Limit)	Vil			0,3 x VDD1	V
Input Voltage High (Full Spec and Extended Limit)	Vih	0,7 x VDD1			V
Hysteresis ($5\text{V} \leq \text{VDD1} \leq 16\text{V}$)	Vhys	0,5	1		V
Input Current ($V_{in} \leq 16\text{V}$)	Ileakage	- 5		5	μA
Input Voltage Clamp ($I = 100\mu\text{A}$)	Vin clamp	17	20	23	V

INPUTS : AD0, AD1, AD2 Pins

Input Voltage Low	Vil			0,4 x VDD2	V
Input Voltage High	Vih	0,8 x VDD2			V
Hysteresis	Vhys	500	750		mV
Input Current	Ileakage	- 5		5	μA

8 LINE TO 1 LINE DATA MULTIPLEXER FUNCTION TABLE

Inputs			OUT1
AD2	AD1	AD0	
x	x	x	-
l	l	l	in0
l	l	h	in1
l	h	l	in2
l	h	h	in3
h	l	l	in4
h	l	h	in5
h	h	l	in6
h	h	h	DIAGDi

h = High Level, l = Low Level, x = high impedance, - unknown.
 DIAGDi is the value of the selectionned internal fault detector (See below)
 in0, in1...in6 are the normalised values of the INi respectives inputs
 (INi = Vbat -ini = VDD2)

FAULT DETECTOR SELECTION. This table presents the sequential patterns which enable to select the diagnostic of driver 1 (diagd1) or driver 2 (diagd2)

Inputs			OUTi
AD2	AD1	AD0	
-	-	-	-
-	l	h	-
h	h	h	DIAGD1
-	-	-	-
-	h	l	-
h	h	h	DIAGD2

h = High Level, l = Low Level, x = high impedance, - unknown.

OUTPUTS : OUT1 AND OUT7 PINS

Parameters	Symbols	Min	Typ	Max	Unit
Output Voltage Low (Iload = 2mA)	V _{ol}			0,2 VDD2	V
Output Voltage High (Iload = - 2mA)	V _{oh}	0,8 VDD2			V

PINS FUNCTION DESCRIPTION

Pin Number	Name	Description
1	VDD1	High Voltage Power Supply (Vbat)
2	IN3	High Voltage Input 3
3	IN2	High Voltage Input 2
4	IN1	High voltage input 1
5	IN0	High Voltage Input 0
6	AD0	Adress for Mode and Input Selection
7	AD1	Adress for Mode and Input Selection
8	AD2	Adress for Mode and Input Selection
9	OUTD1	Output Driver 2 (Drain)
10	GND	Common Ground
11	OUTD2	Output Driver 2 (Drain)
12	CD2	Driver 2 command
13	CD1	Driver 1 command
14	OUTI	Output (Multiplexed output i = 0 to 6) and Diagi2
15	OUT7	Output 7 (Direct Output from IN7)
16	IN7	High Voltage Input 7
17	IN6	High Voltage Input 6
18	IN5	High Voltage Input 5
19	IN4	High Voltage Input 4
20	VDD2	Low Voltage Power Supply (5v)

Figure 3. Typical Application Configuration

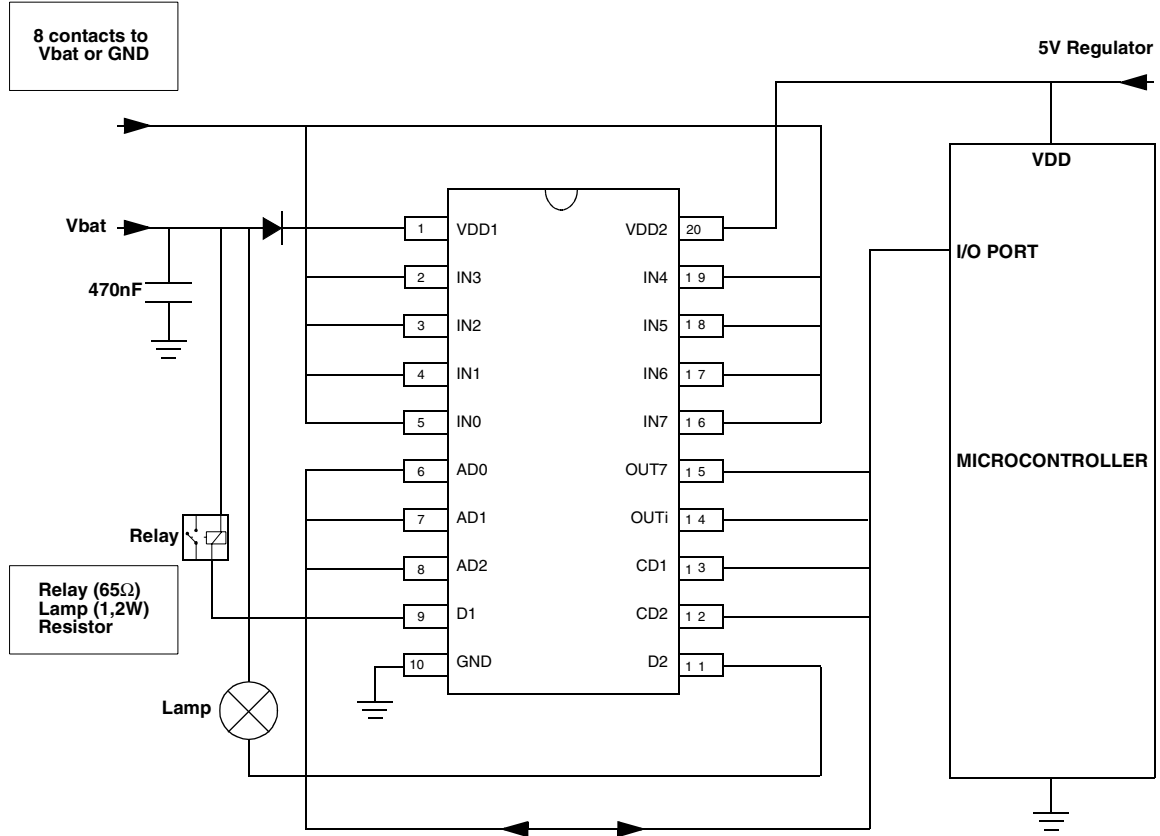


Figure 4. Contact Configuration

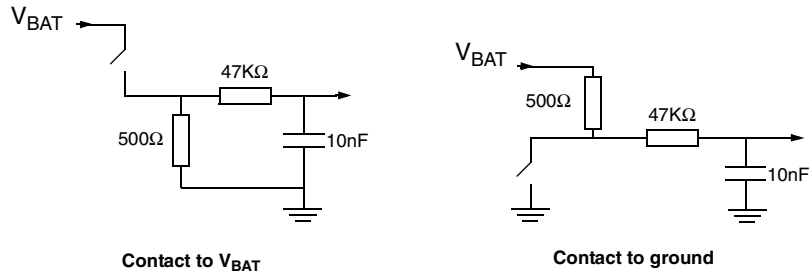
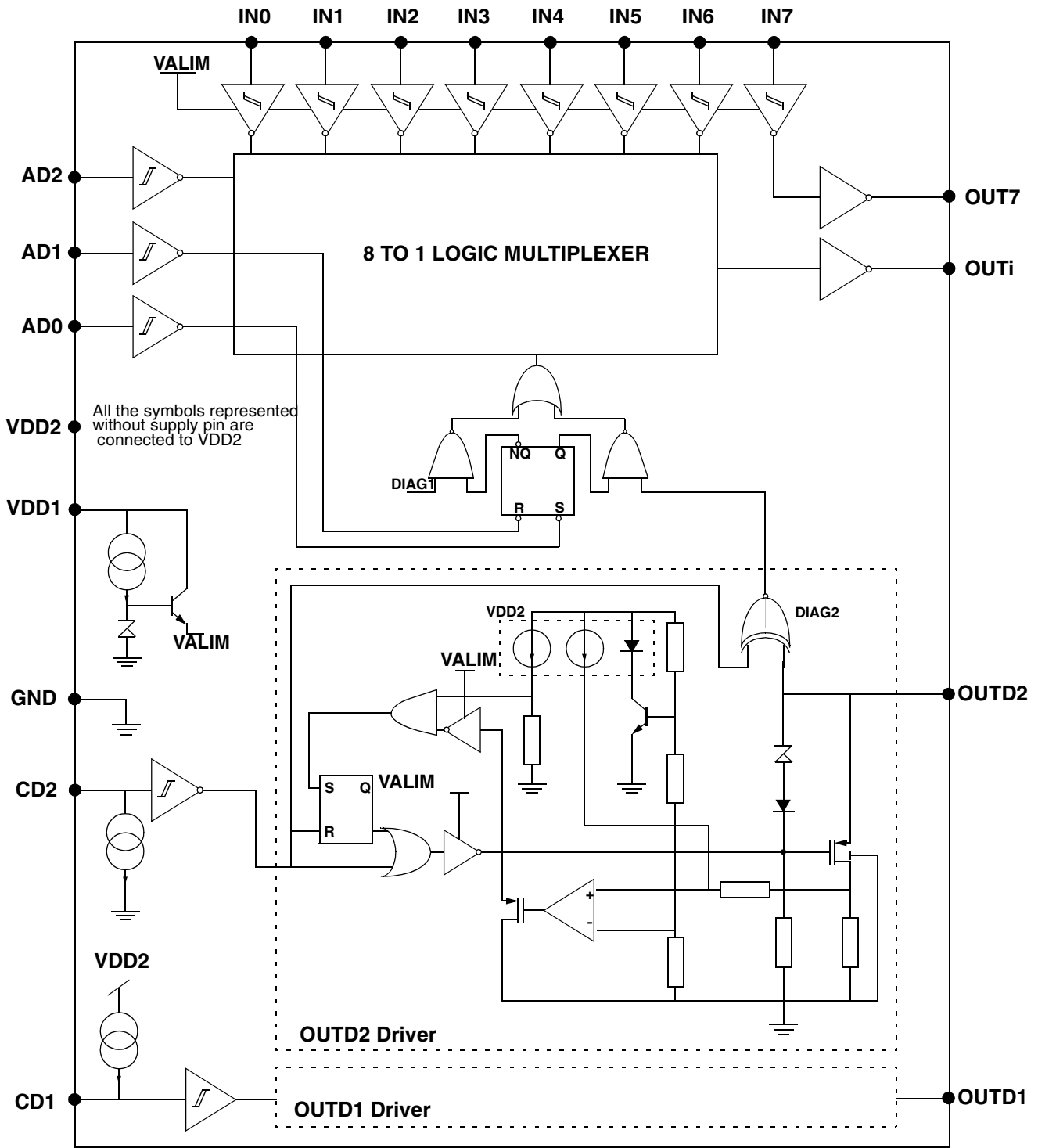
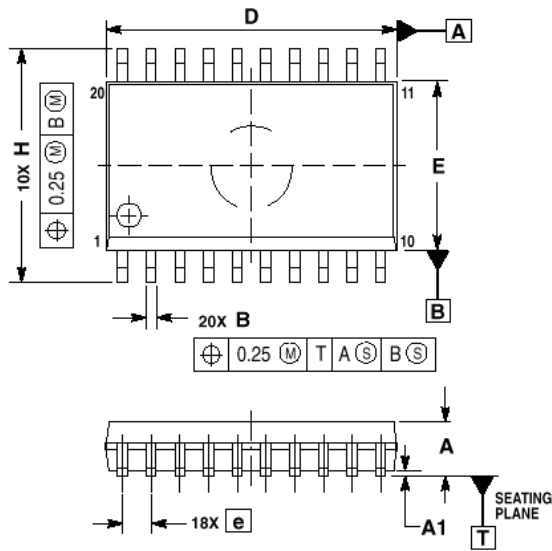


Figure 5. Electrical Schematic




NOTE : The only difference between the low side driver 1 and 2 is the polarity of the command. Also, there are an internal pull-up at pin CD1, an internal pull-down at pin CD2 and an extra inverted is placed after the CD1 input trigger.



- NOTES:
1. DIMENSIONS ARE IN MILLIMETERS.
 2. INTERPRET DIMENSIONS AND TOLERANCES PER ASME Y14.5M, 1994.
 3. DIMENSIONS D AND E DO NOT INCLUDE MOLD PROTRUSION.
 4. MAXIMUM MOLD PROTRUSION 0.15 PER SIDE.
 5. DIMENSION B DOES NOT INCLUDE DAMBAR PROTRUSION. ALLOWABLE PROTRUSION SHALL BE 0.13 TOTAL IN EXCESS OF B DIMENSION AT MAXIMUM MATERIAL CONDITION.

MILLIMETERS	
DIM	MIN MAX
A	2.35 2.65
A1	0.10 0.25
B	0.35 0.49
C	0.23 0.32
D	12.65 12.95
E	7.40 7.60
e	1.27 BSC
H	10.05 10.55
h	0.25 0.75
L	0.50 0.90
θ	0 7

Motorola reserves the right to make changes without further notice to any products herein. Motorola makes no warranty, representation or guarantee regarding the suitability of its products for any particular purpose, nor does Motorola assume any liability arising out of the application or use of any product or circuit, and specifically disclaims any and all liability, including without limitation consequential or incidental damages. "Typical" parameters which may be provided in Motorola data sheets and/or specifications can and do vary in different applications and actual performance may vary over time. All operating parameters, including "Typical" must be validated for each customer application by customer's technical experts. Motorola does not convey any license under its patent rights nor the rights of others. Motorola products are not designed, intended, or authorized for use as components in systems intended for surgical implant into the body, or other applications intended to support or sustain life, or for any application in which the failure of the Motorola product could create a situation where personal injury or death may occur. Should Buyer purchase or use Motorola products for any such unintended or unauthorized application, Buyer shall indemnify and hold Motorola and its officers, employees, subsidiaries, affiliates, and distributors harmless against all claims, costs, damages, and expenses, and reasonable attorney fees arising out of, directly or indirectly, any claim of personal injury or death associated with such unintended or an authorized use, even if such claim alleges that Motorola was negligent regarding the design or manufacture of the parts. Motorola and  are registered trademarks of Motorola, Inc. Motorola, Inc. is an Equal Employment Opportunity/Affirmative Action Employer.

How to reach us:

USA / EUROPE / Locations Not Listed: Motorola Literature Distribution; P.O. Box 5405, Denver, Colorado 80217. 1-303-675-2140 or 1-800-441-2447

JAPAN: Motorola Japan Ltd.; SPS, Technical Information Center, 3-20-1, Minami-Azabu, Minato-ku, Tokyo 106-8573 Japan. 81-3-344-3569

Technical Information Center: 1-800-521-6274

ASIA / PACIFIC: Motorola Semiconductors H.K. Ltd.; Silicon Harbour Centre, 2, Dai King Street, Tai Po Industrial Estate, Tai Po, N.T., Hong Kong. 852-26668334

HOME PAGE: <http://www.motorola.com/semiconductors>



SUNSTAR 商斯达实业集团是集研发、生产、工程、销售、代理经销、技术咨询、信息服务等为一体的高科技企业，是专业高科技电子产品生产厂家，是具有 10 多年历史的专业电子元器件供应商，是中国最早和最大的仓储式连锁规模经营大型综合电子零部件代理分销商之一，是一家专业代理和分销世界各大品牌 IC 芯片和电子元器件的连锁经营综合性国际公司，专业经营进口、国产名厂名牌电子元件，型号、种类齐全。在香港、北京、深圳、上海、西安、成都等全国主要电子市场设有直属分公司和产品展示展销窗口门市部专卖店及代理分销商，已在全国范围内建成强大统一的供货和代理分销网络。我们专业代理经销、开发生产电子元器件、集成电路、传感器、微波光电元器件、工控机/DOC/DOM 电子盘、专用电路、单片机开发、MCU/DSP/ARM/FPGA 软件硬件、二极管、三极管、模块等，是您可靠的一站式现货配套供应商、方案提供商、部件功能模块开发配套商。商斯达实业公司拥有庞大的资料库，有数位毕业于著名高校——有中国电子工业摇篮之称的西安电子科技大学（西军电）并长期从事国防尖端科技研究的高级工程师为您精挑细选、量身订做各种高科技电子元器件，并解决各种技术问题。

更多产品请看本公司产品专用销售网站：

商斯达中国传感器科技信息网：<http://www.sensor-ic.com/>

商斯达工控安防网：<http://www.pc-ps.net/>

商斯达电子元器件网：<http://www.sunstare.com/>

商斯达微波光电产品网：[HTTP://www.rfoe.net/](http://www.rfoe.net/)

商斯达消费电子产品网：<http://www.icasic.com/>

商斯达实业科技产品网：<http://www.sunstars.cn/>

传感器销售热线：

地址：深圳市福田区福华路福庆街鸿图大厦 1602 室

电话：0755-83370250 83376489 83376549 83607652 83370251 82500323

传真：0755-83376182 (0) 13902971329 MSN: SUNS8888@hotmail.com

邮编：518033 E-mail:szss20@163.com QQ: 195847376

深圳赛格展销部：深圳华强北路赛格电子市场 2583 号 电话：0755-83665529 25059422

技术支持：0755-83394033 13501568376

欢迎索取免费详细资料、设计指南和光盘；产品凡多，未能尽录，欢迎来电查询。

北京分公司：北京海淀区知春路 132 号中发电子大厦 3097 号

TEL: 010-81159046 82615020 13501189838 FAX: 010-62543996

上海分公司：上海市北京东路 668 号上海赛格电子市场 2B35 号

TEL: 021-28311762 56703037 13701955389 FAX: 021-56703037

西安分公司：西安高新开发区 20 所(中国电子科技集团导航技术研究所)

西安劳动南路 88 号电子商城二楼 D23 号

TEL: 029-81022619 13072977981 FAX:029-88789382